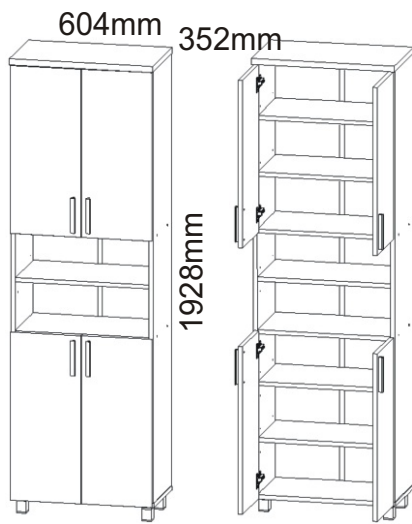
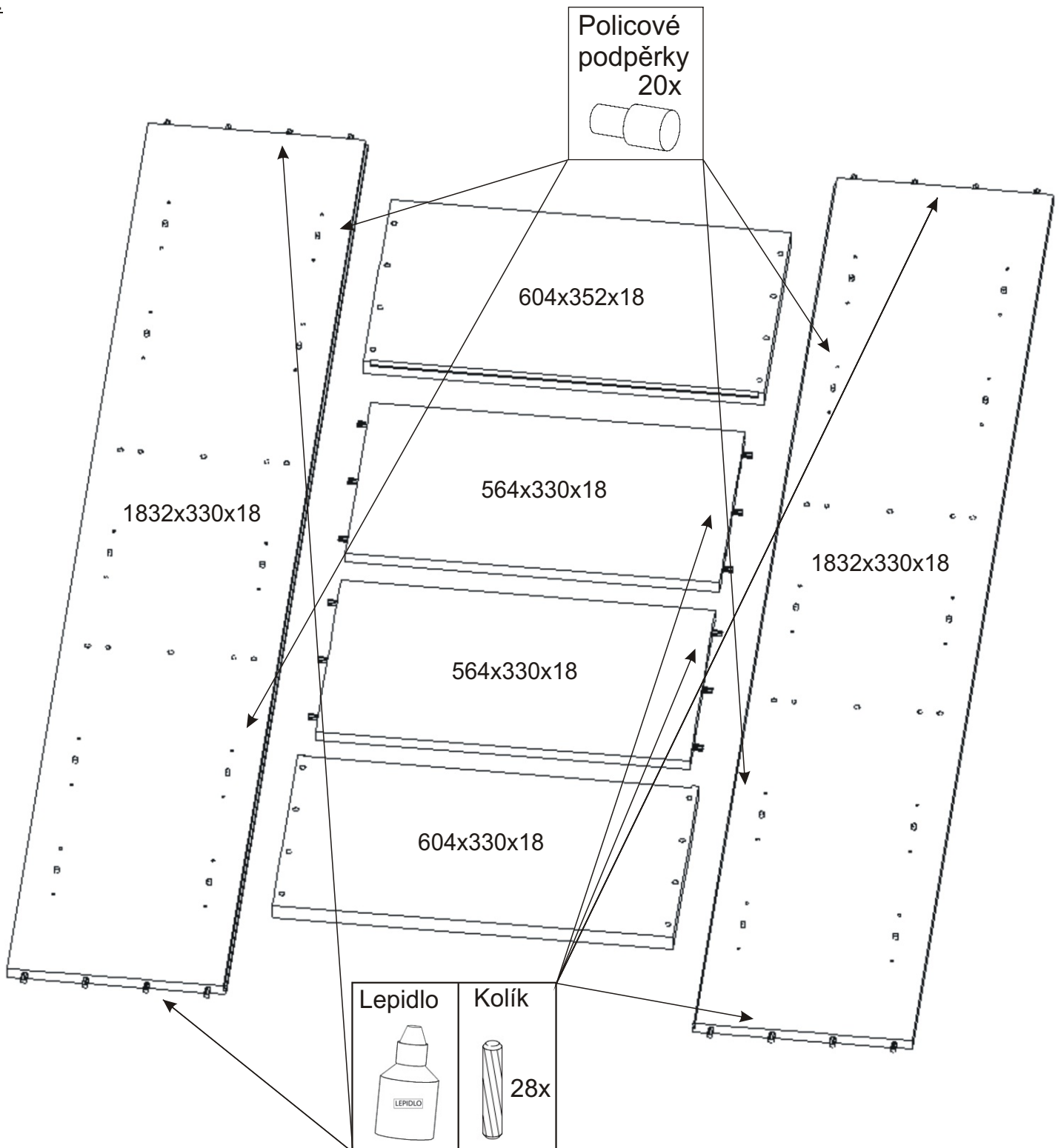


KBB 15

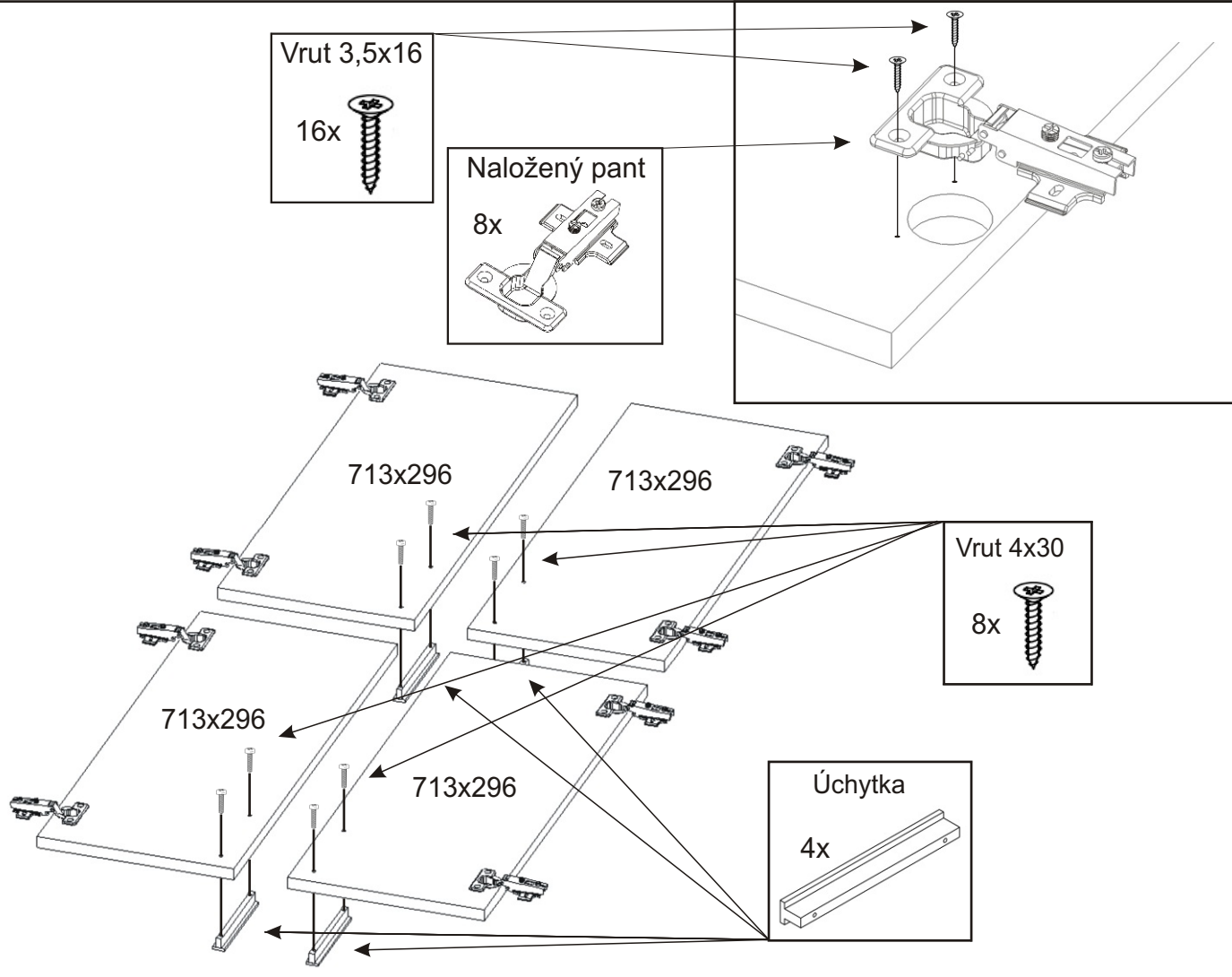


Vrut 3,5x16 48x 	Lepidlo 1x 	Kolík 28x 	Naložený pant 8x 	Hřebík 60x 	H lišta 1832 mm 1x
Konfirmát +krytky 8x 	Podpěrka 20x 	Noha 60mm 4x 	Úchytka 148mm 4x 	Vrut 4x30 k úchytce 8x 	

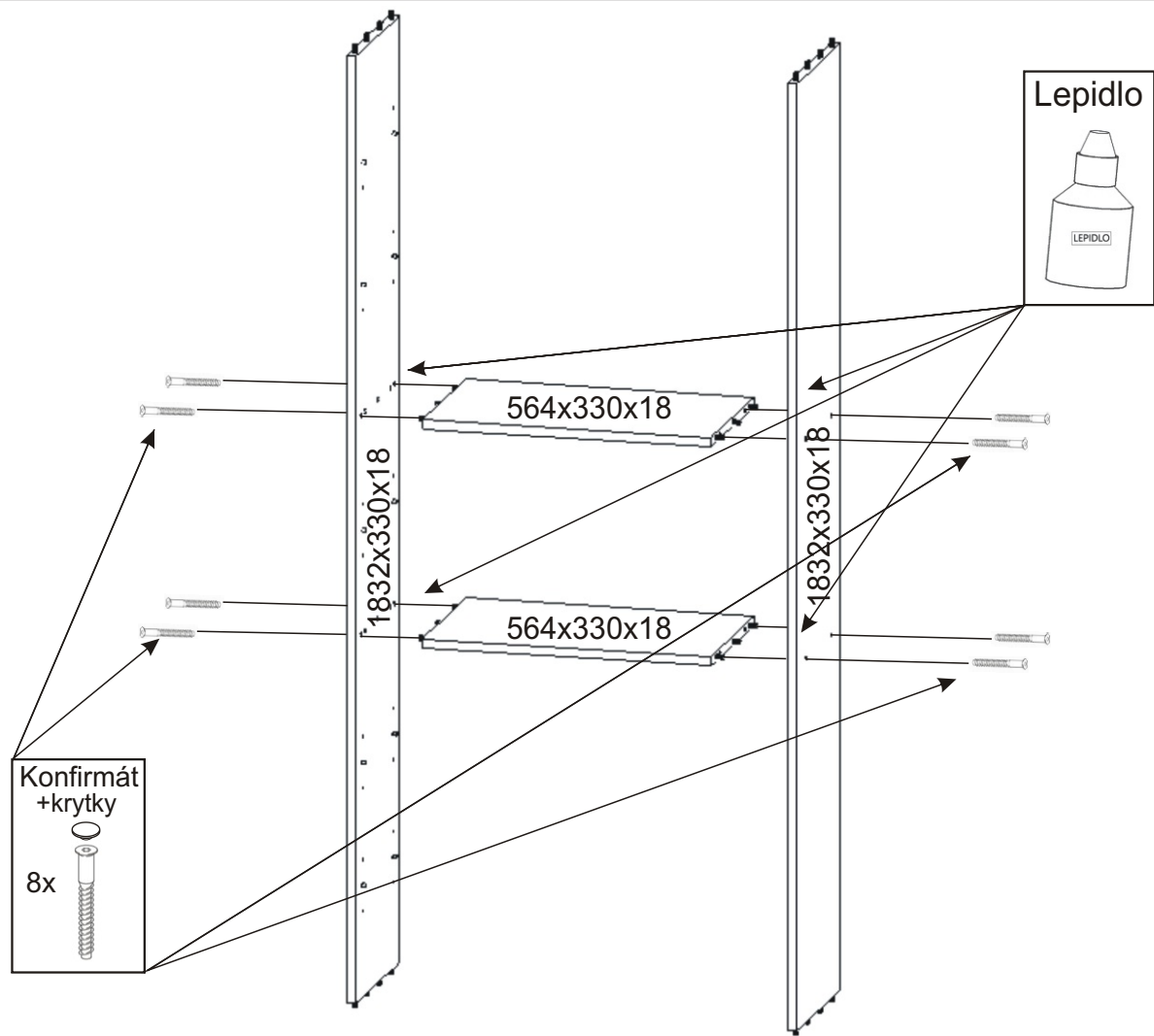
1.



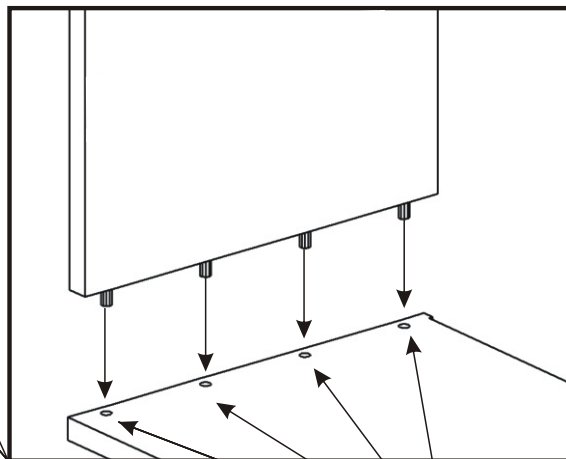
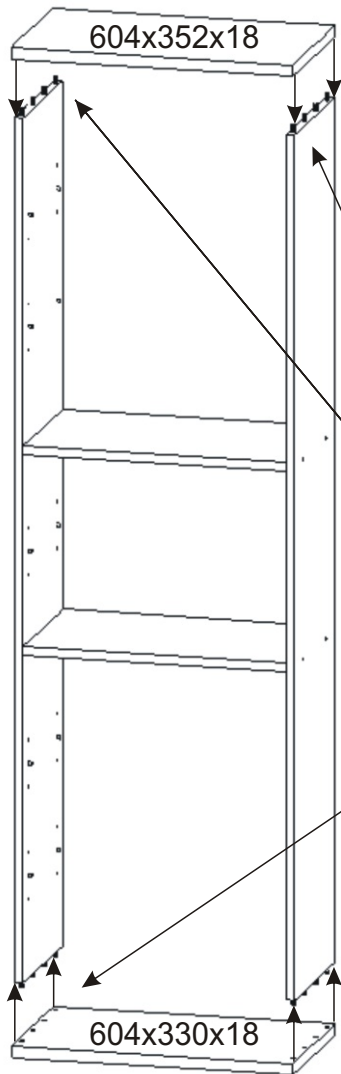
2.



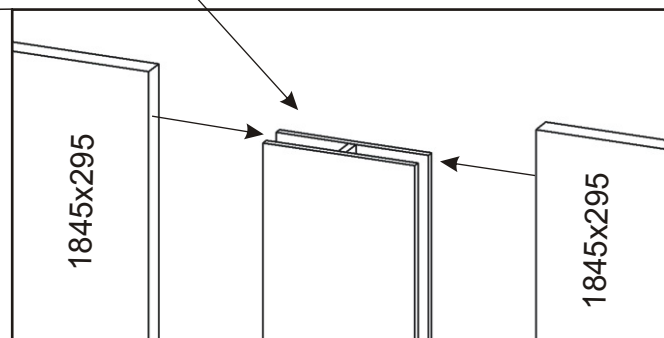
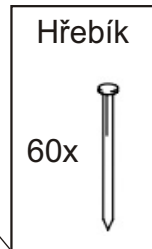
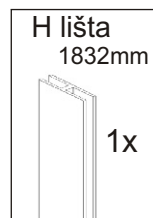
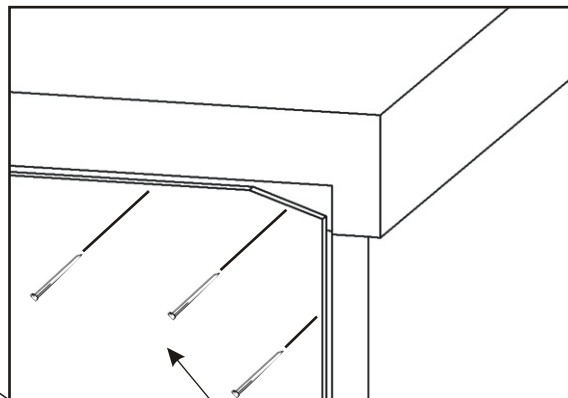
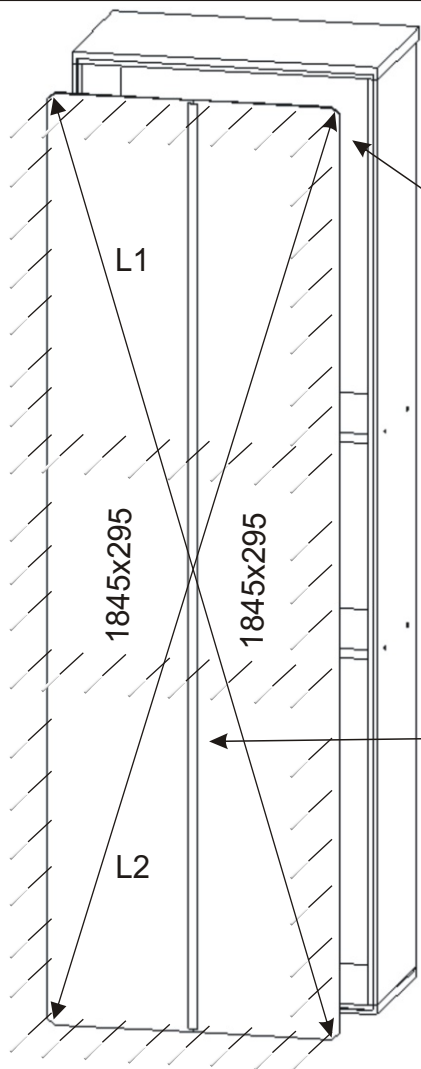
3.



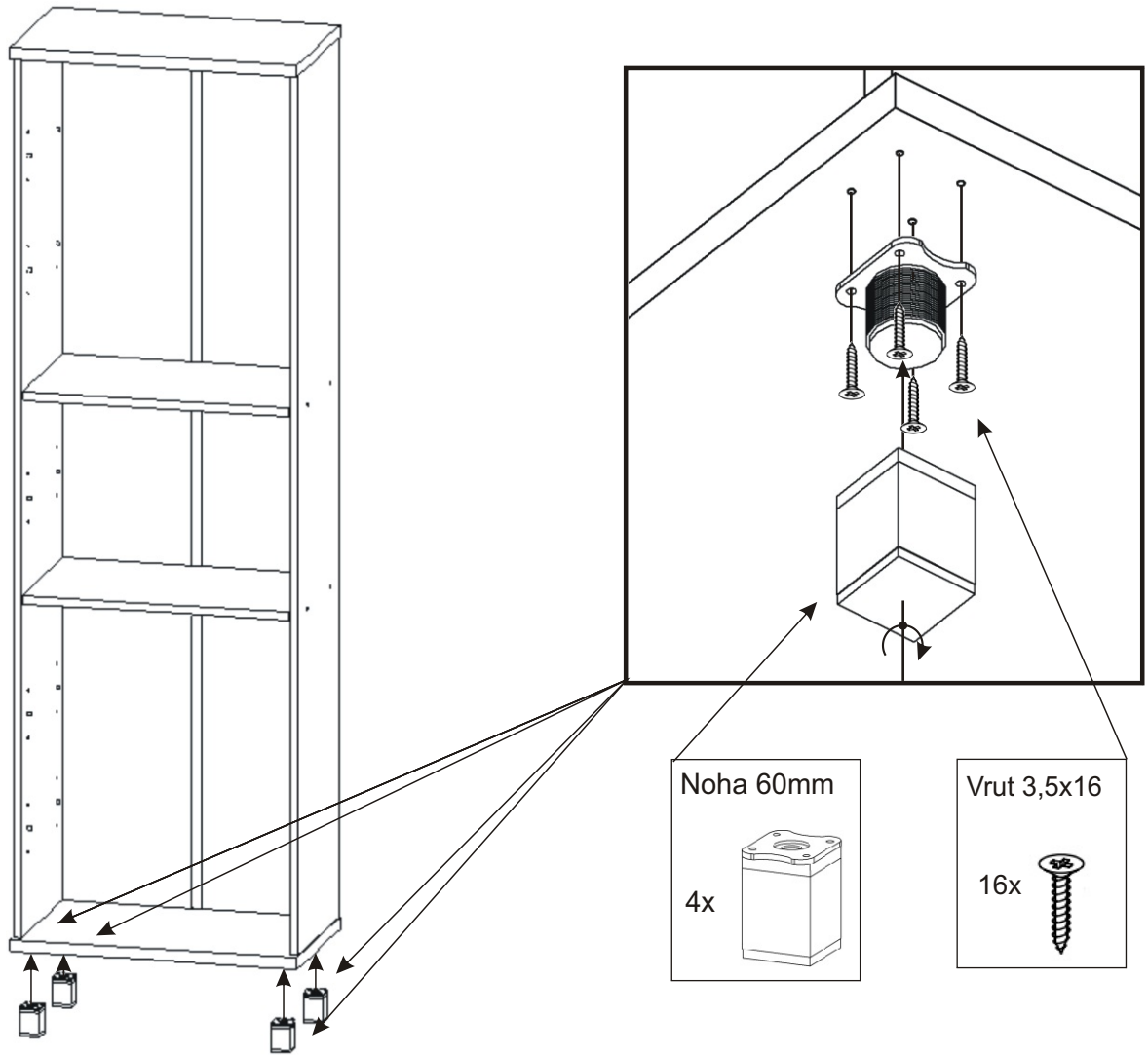
4.



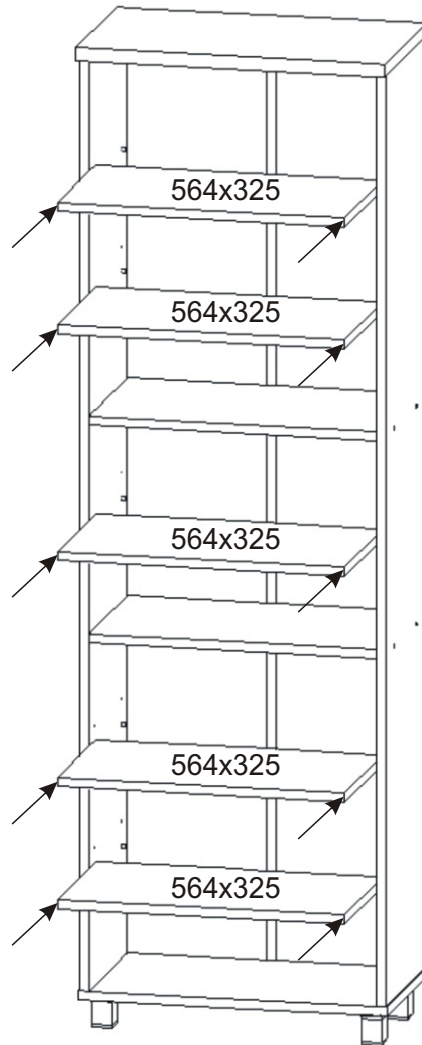
5.



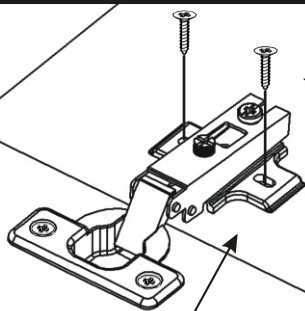
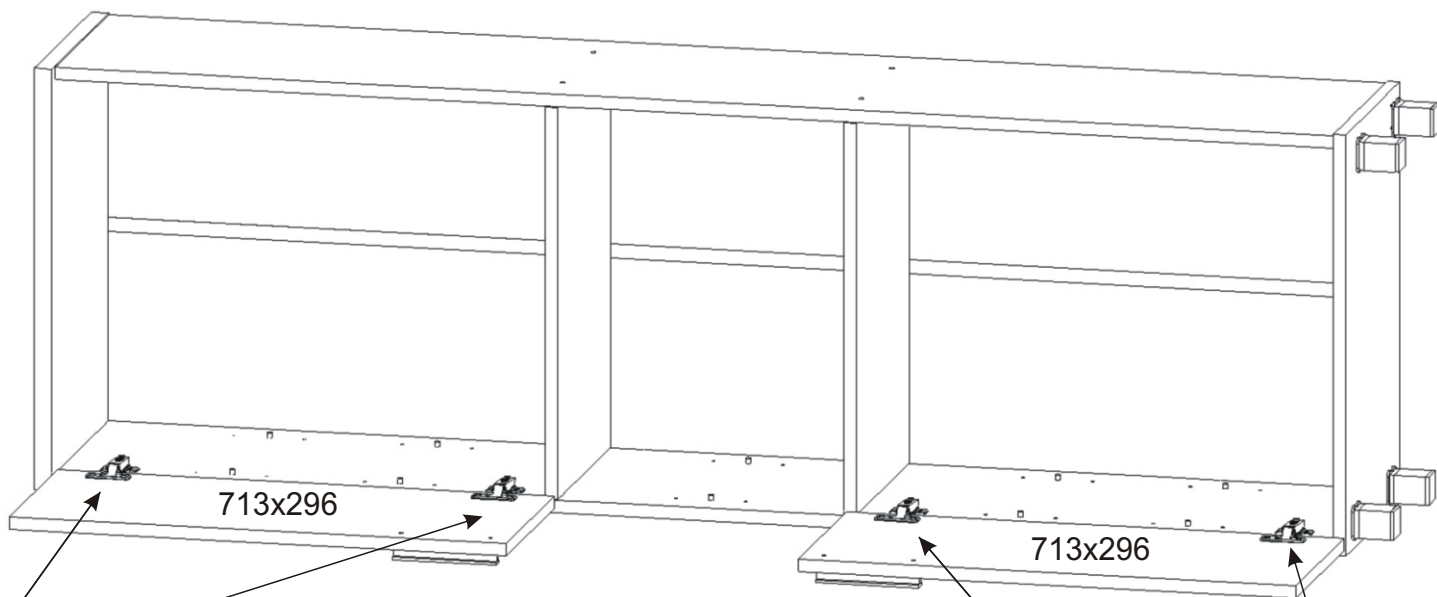
6.



7.



8. Usazení dvířek



Vrut 3,5x16

16x



PŮDA 604x352x18

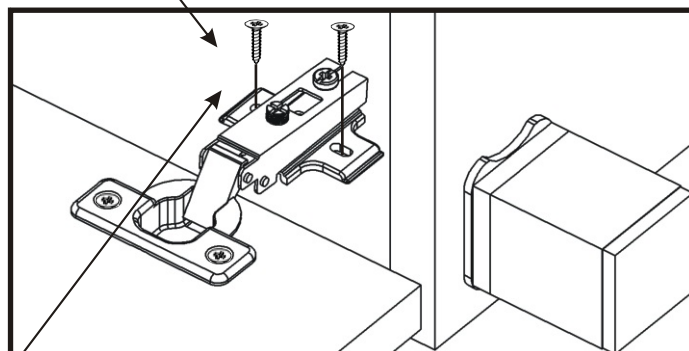
3mm

1mm

713x296

Mezera mezi
dvířmi a korpusem

This inset shows the door mounting bracket being secured to the cabinet rail. The text 'PŮDA 604x352x18' is on the left. The dimension '3mm' is shown between the bracket and the rail. The dimension '1mm' is shown between the bracket and the cabinet body. The text 'Mezera mezi dvířmi a korpusem' is at the bottom.



713x296

DNO 604x330x18

1mm

3mm

Mezera mezi
dvířmi a korpusem

This inset shows the door mounting bracket being secured to the cabinet rail. The text 'DNO 604x330x18' is on the right. The dimension '1mm' is shown between the bracket and the cabinet body. The dimension '3mm' is shown between the bracket and the cabinet body. The text 'Mezera mezi dvířmi a korpusem' is at the bottom.