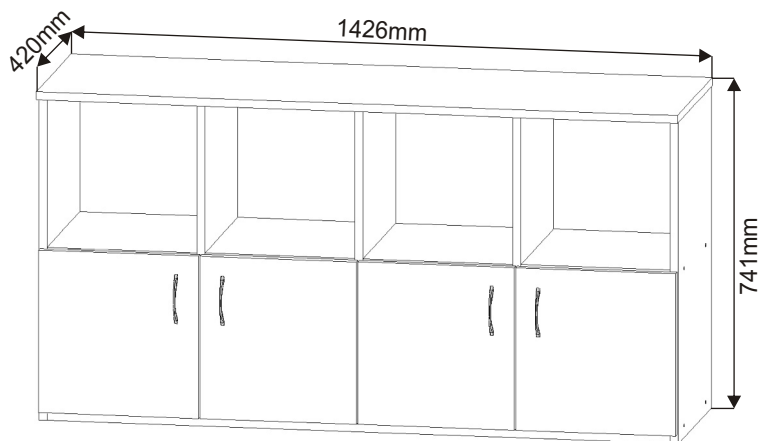
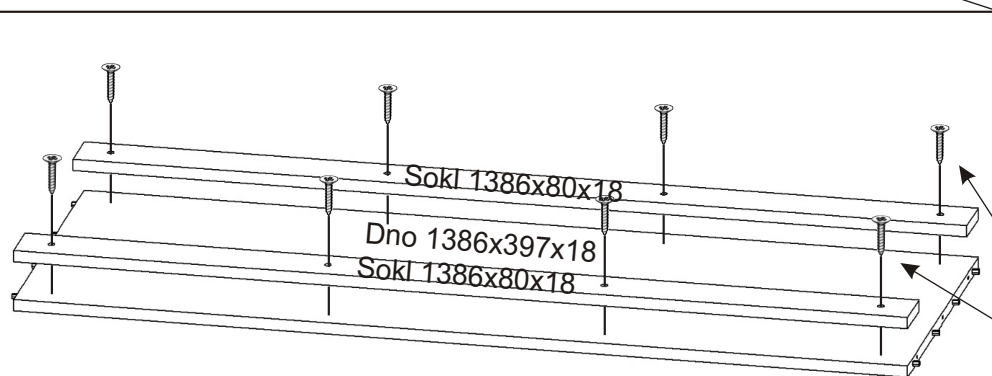
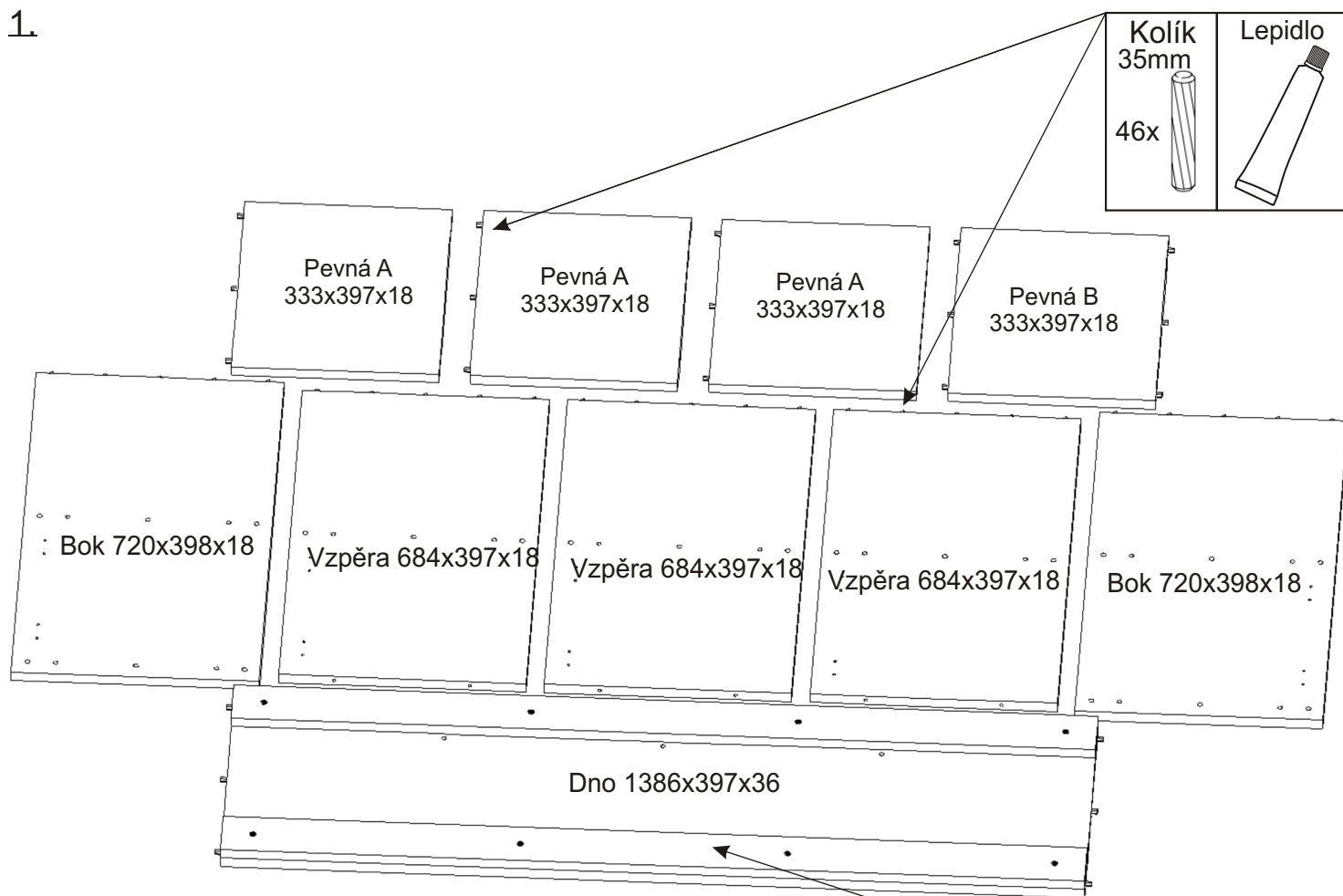


ALFA 162



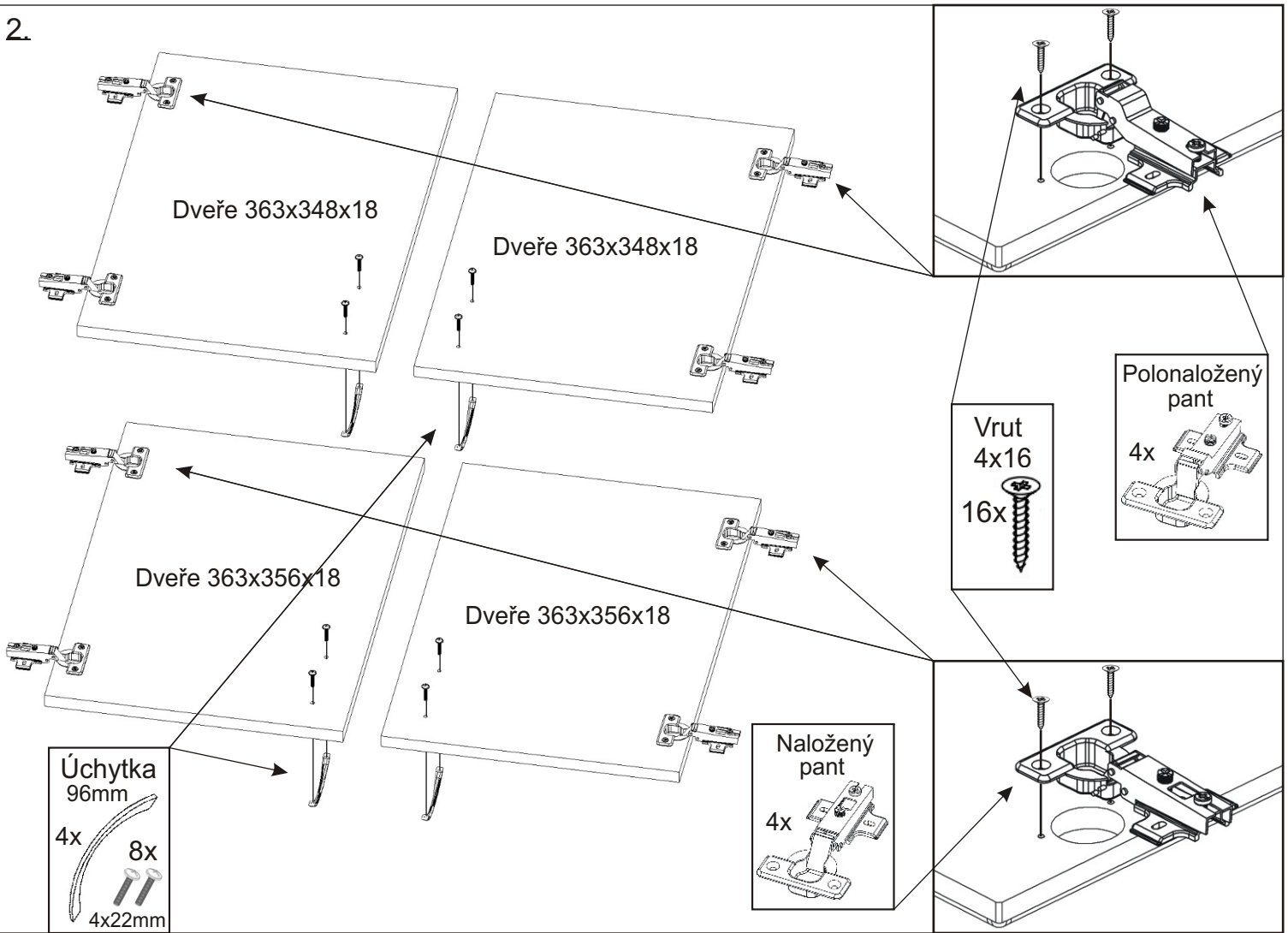
Hřebík 84x	Kluzáky 6x	Vrut 4x30 8x	Vrut 4x16 32x
Kolík 35mm 46x	Lepidlo 40ml 1x 20ml 1x	Konfirmát 50mm 20x	Krytka 8x
Úchytka 96mm 4x	Naložený pant 4x	Polonaložený pant 4x	

1.

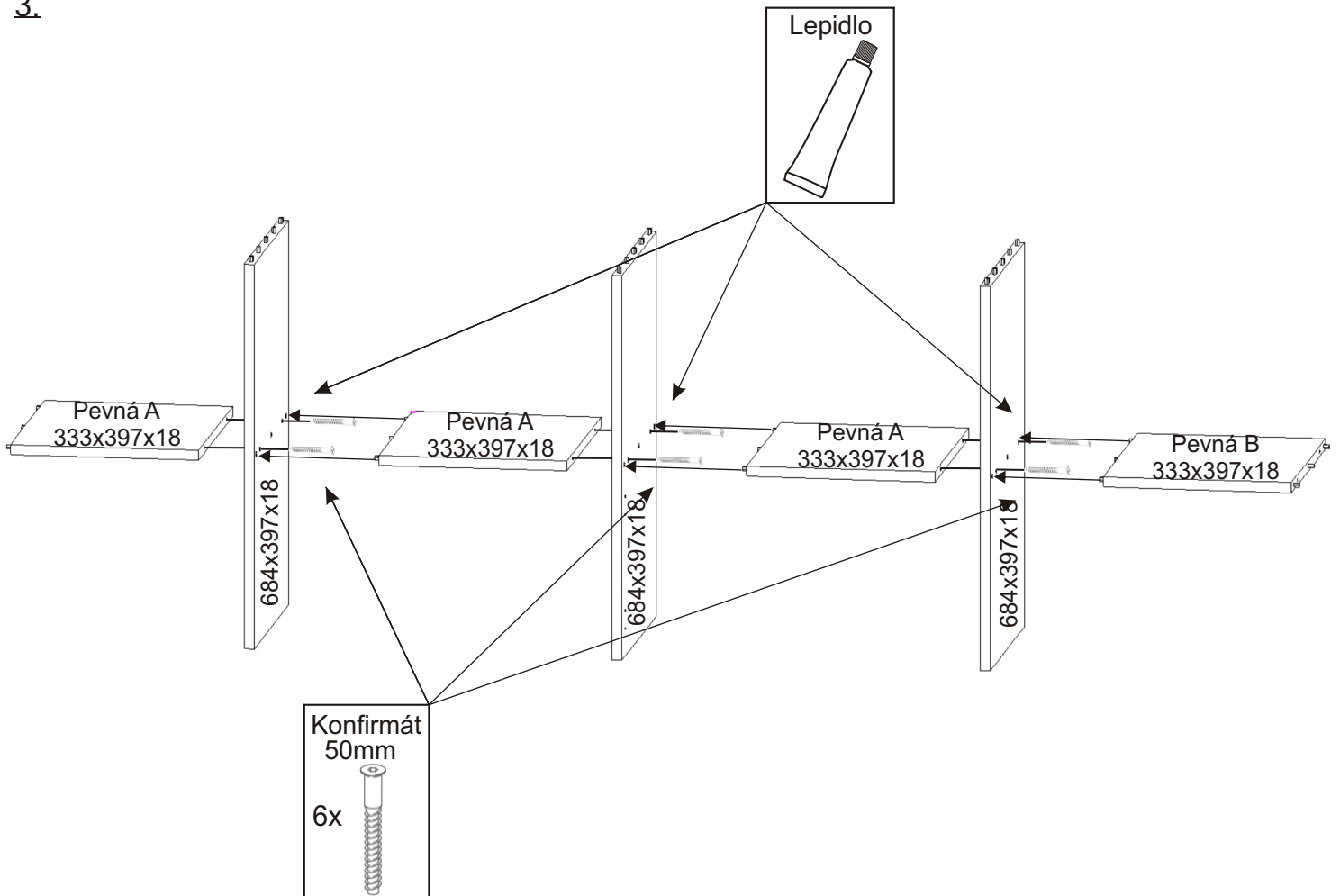


Vrut 4x30 8x

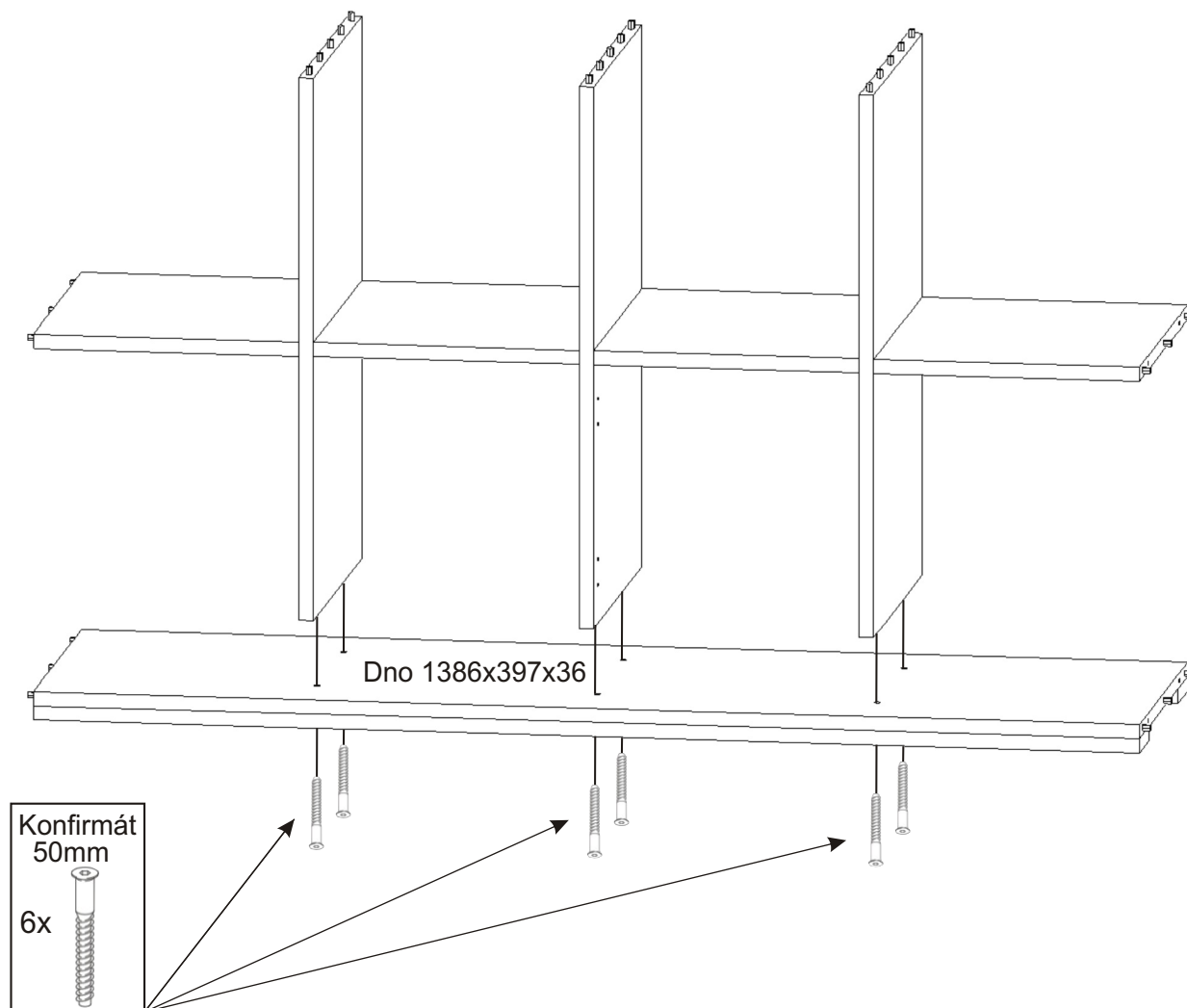
2.



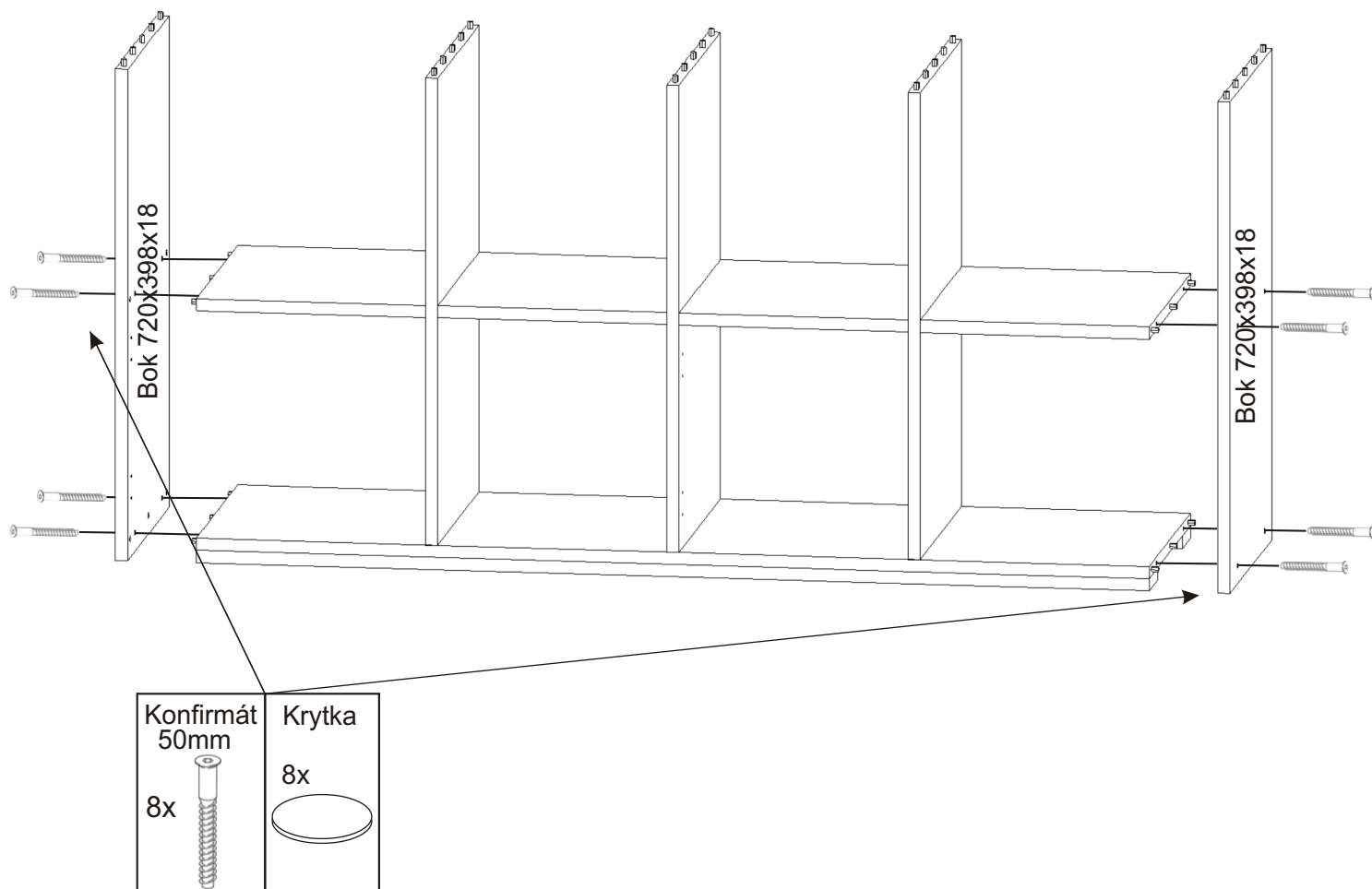
3.



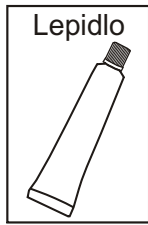
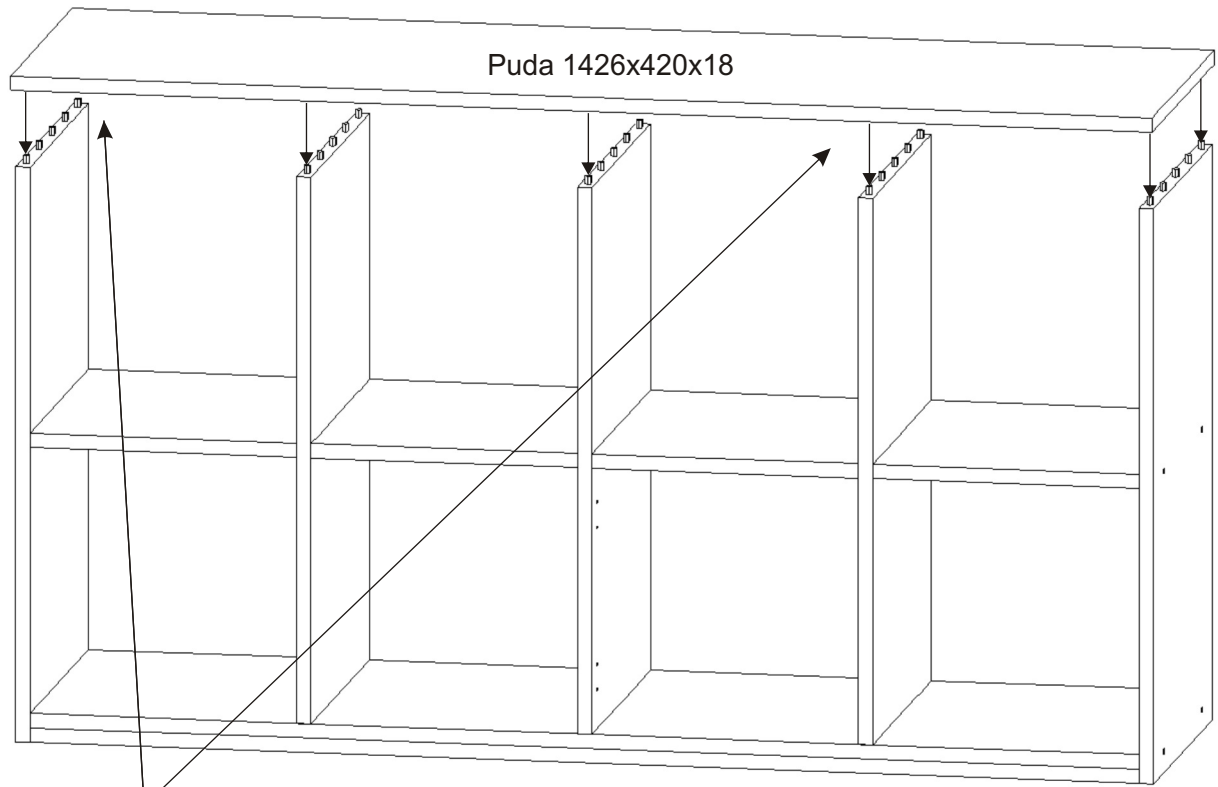
4.



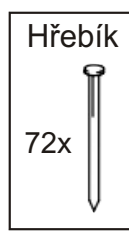
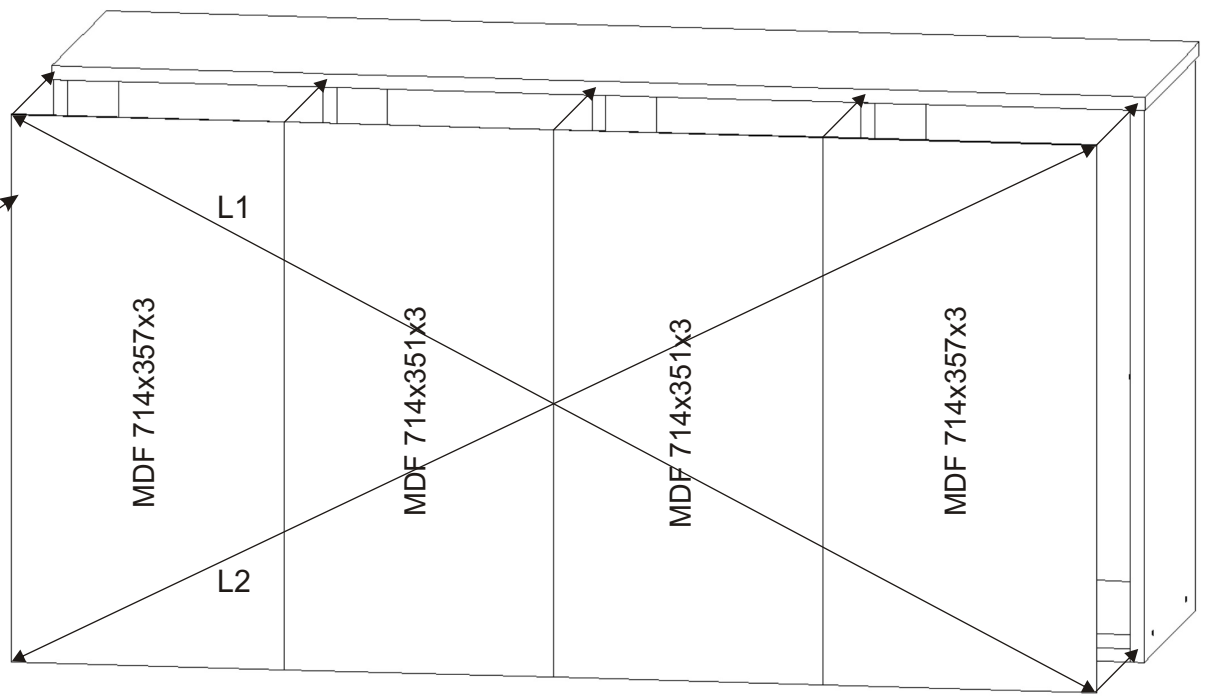
5.



6.

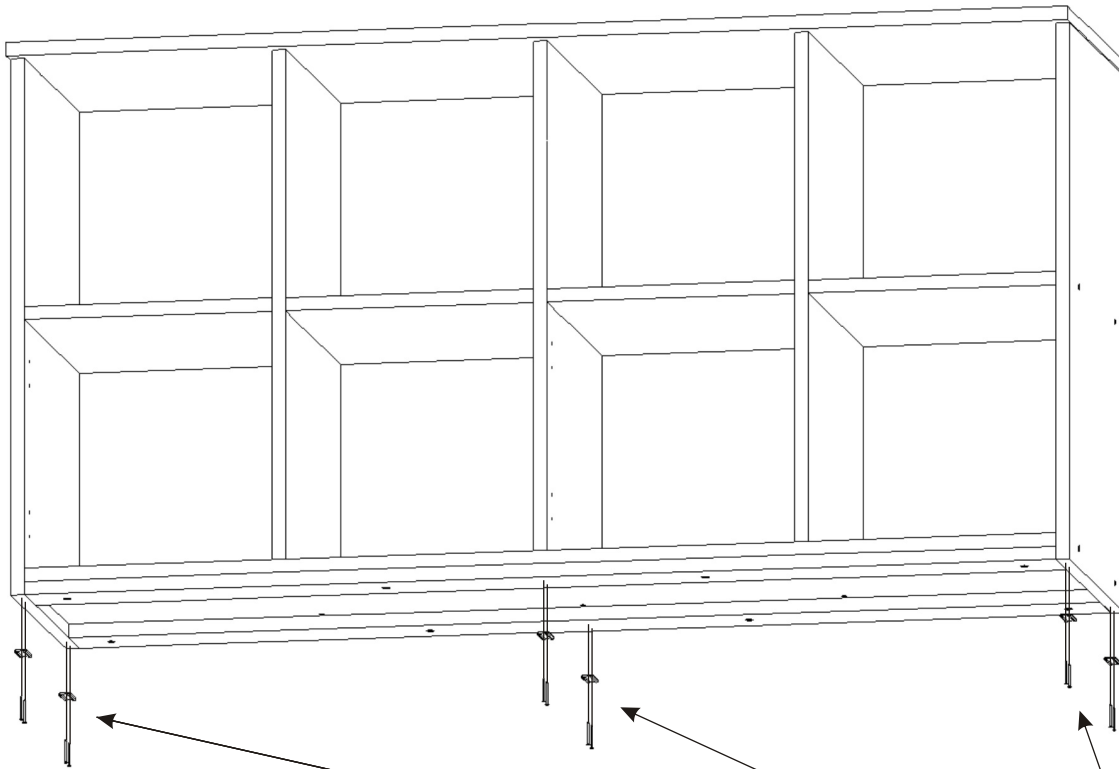


7.



L1 = L2

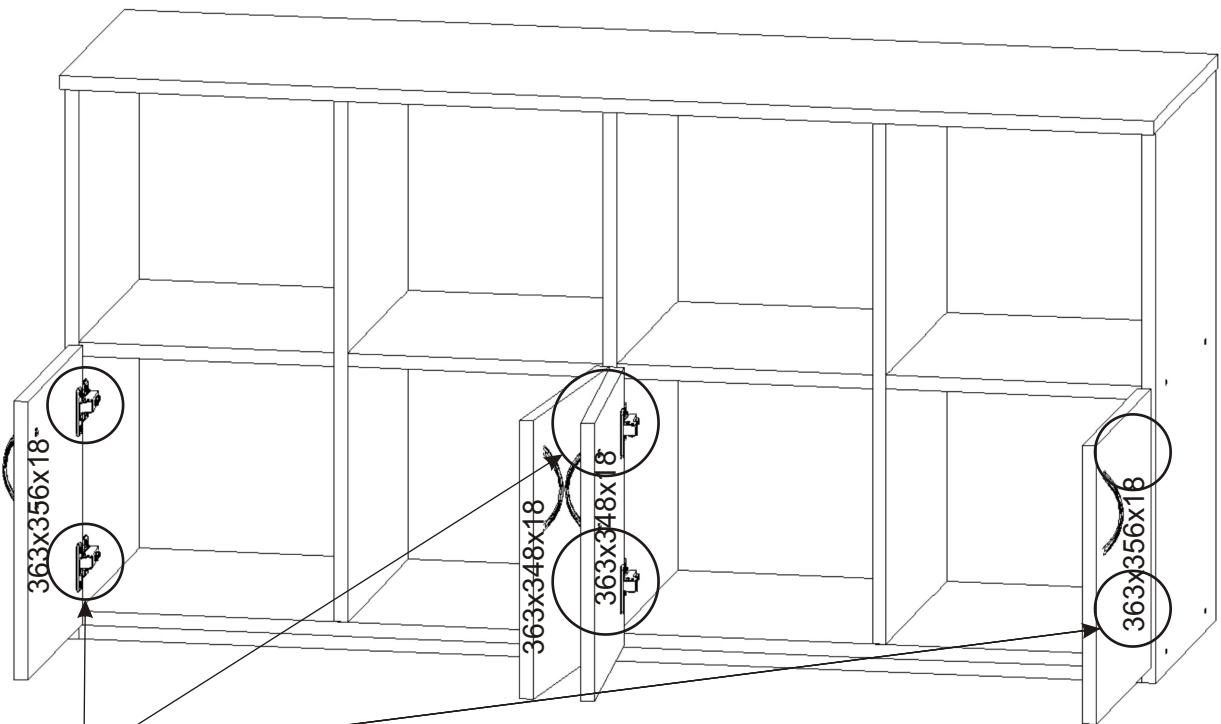
8.



Hřebík	Kluzáky
12x	6x

The table lists the required hardware. The first row shows 'Hřebík' (Nail) with a quantity of '12x'. The second row shows 'Kluzáky' (Glide) with a quantity of '6x'. Below the table are small illustrations of a nail and a glide.

9.



Vrut
4x16
16x

The table lists the required hardware. The first row shows 'Vrut' (Screw). The second row shows the size '4x16'. The third row shows the quantity '16x'. Below the table is a small illustration of a screw.